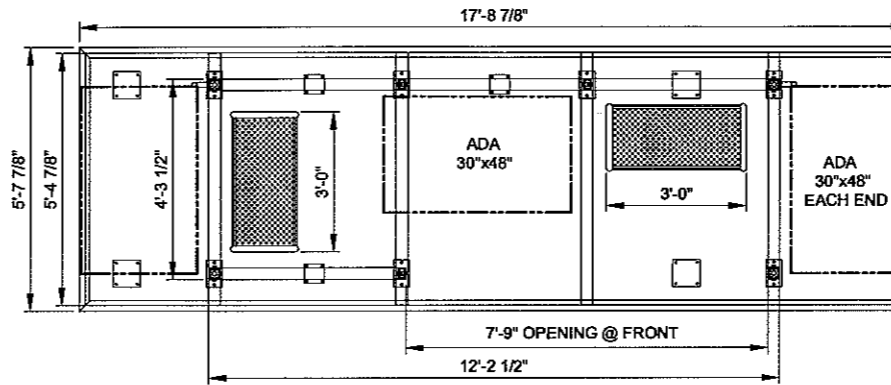


OPTION 1



OPTION 2 - FRONT ENTRANCE SHIFTED TO RIGHT SIDE

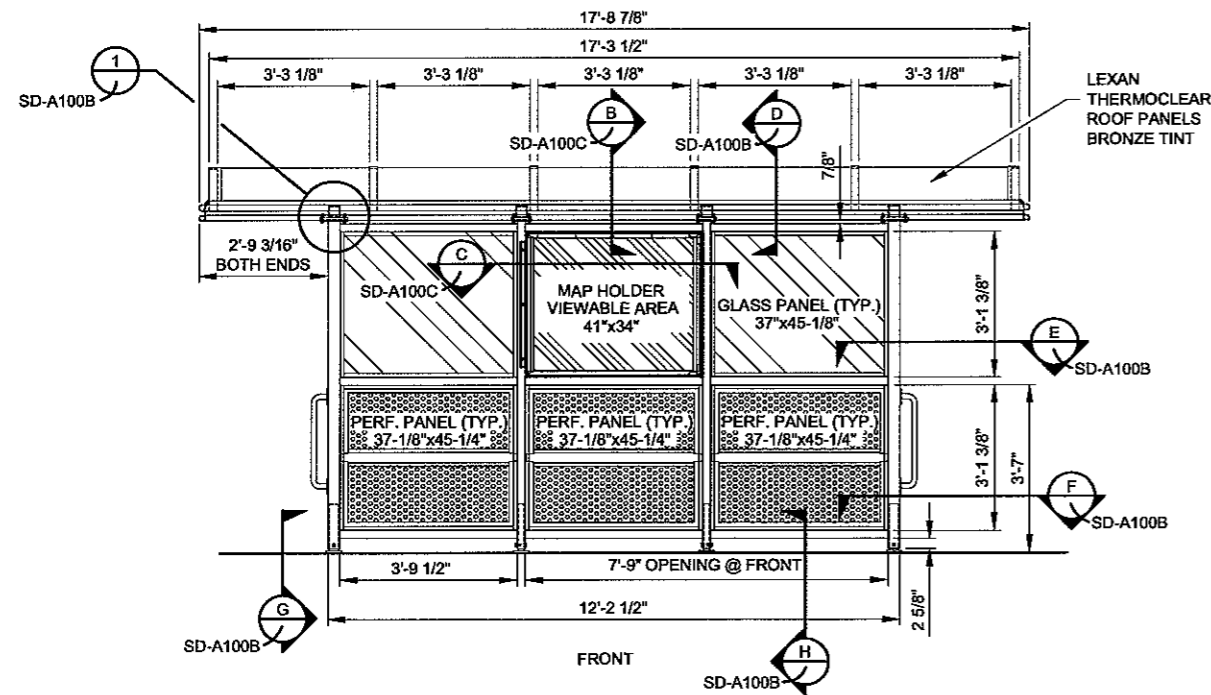
FLOOR PLANS

SCALE: 1/2" = 1'-0"

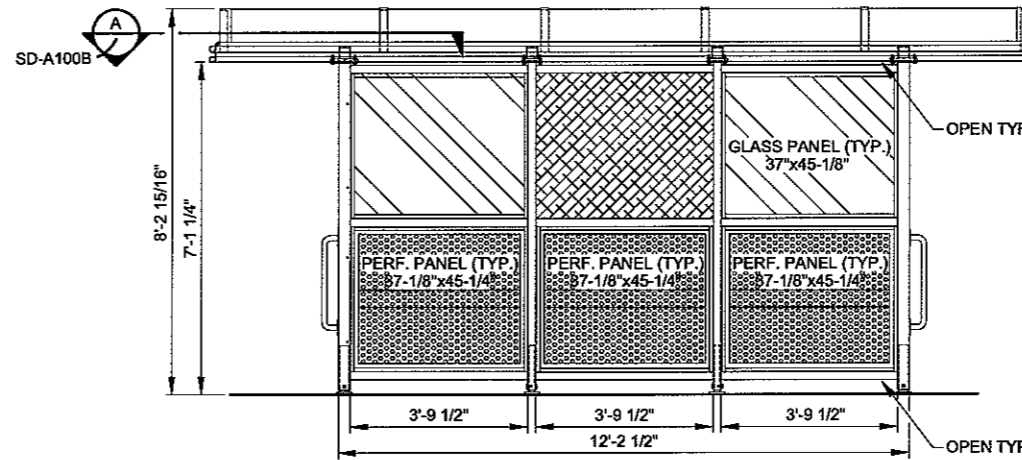
NOTE: FLOOR PLAN - OPTION 3
FRONT ENTRANCE SHIFTED
TO LEFT SIDE (NOT SHOWN)

NOTES:

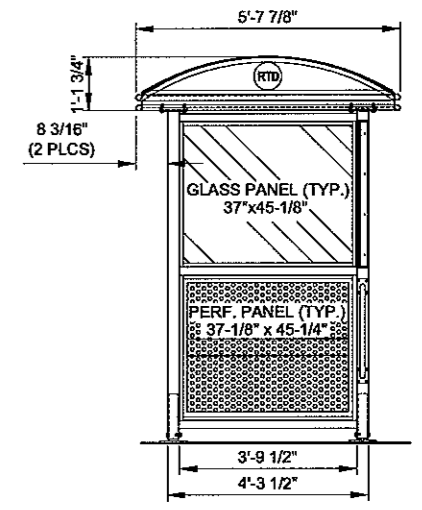
1. UNLESS OTHERWISE NOTED, SHELTER TO BE ALL ALUMINUM OF ALLOY 6063-T5.
2. ALL HOLES SHALL BE DRILLED OR PUNCHED
3. ALUMINUM WELDING SHALL CONFORM TO AMERICAN WELDING SOCIETY STANDARD D1. 2-97. ELECTRODES SHALL CONFORM TO AWS/SFA 5.10 ER4043.
4. ALL WELDING TO BE DONE BY AWS CERTIFIED WELDERS AT TOLAR MANUF. CO. INC. FACILITY AT 258 MARIAH CIRCLE, CORONA, CA 92879 UNDER THE SUPERVISION OF THE RECORD DESIGN ENGINEER.
5. SHELTER TO BE ANCHORED WITH STAINLESS STEEL HILTI, 1/2" X 4 1/2"
6. SCREEN TO BE ALL ALUMINUM PERFORATED METAL 1/8 THK, 1/4 DIA. HOLES ON 3/8" CENTERS
7. ALL GLAZING TO BE 3/8" CLEAR TEMPERED SAFETY GLASS
8. ALL FASTENERS TO BE STAINLESS STEEL
9. SHELTER COMPLIES WITH ALL CONSTRUCTION STANDARDS OF DENVER CO.. SHELTER COMPLIES WITH ADA HANDICAP REQUIREMENTS.
10. SHELTER STD. COLOR SHALL BE RAL 6008 FIR GREEN.



FRONT



REAR





SIDE

ELEVATION PLANS

SCALE: 1/2" = 1'-0"

K:\CAD Library\RTD S&D Drawings\Standard Drawings\SD-A100A-PedShlrPlus-Optns.dwg, 10/15/2007 10:04:38 AM, mb12652, Bluebeam PDF9 Printer HighRes.pcs3

| | | | | | | | | | | | |
|---|--|--|--------------------------------|--|--|---------------------------|--|--|--|--|---|
| DESIGNED BY: JAM DATE: 3/01/05 | | | CHECKED BY: CGG DATE: 3/30/05 | | | HORZ. SCALE: 1/2" = 1'-0" | | |  REGIONAL TRANSPORTATION DISTRICT 1800 BLAKE STREET DENVER, COLORADO 80202 (303) 628-8000 | STANDARD DRAWING REGIONAL TRANSPORTATION DISTRICT ARCHITECTURAL PEDESTRIAN SHELTER PLANS - OPT 1 OR OPT 2 | SHEET REFERENCE NUMBER: SD-A100A SHEET 1 OF 17 |
| DRAWN BY: SMPM DATE: 3/01/05 | | | APPROVED BY: SAS DATE: 3/30/05 | | | VERT. SCALE: | | | | | |
|  HALF SIZE - Double The Scale | | | | | | | | | | | |
| REVISIONS | | | BY | | | DATE | | | | | |