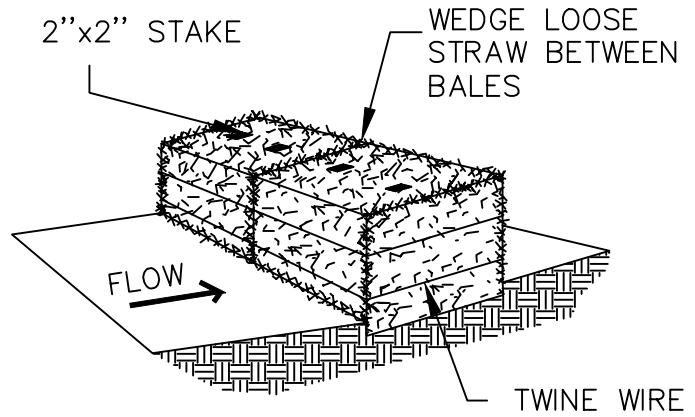
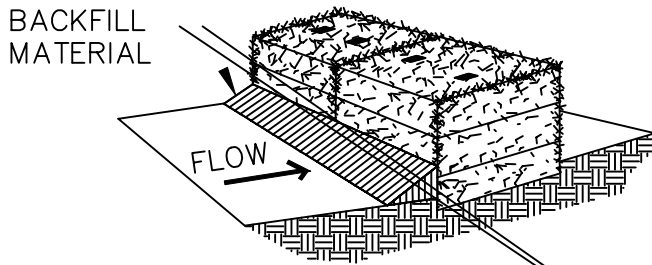


EXCAVATE TRENCH

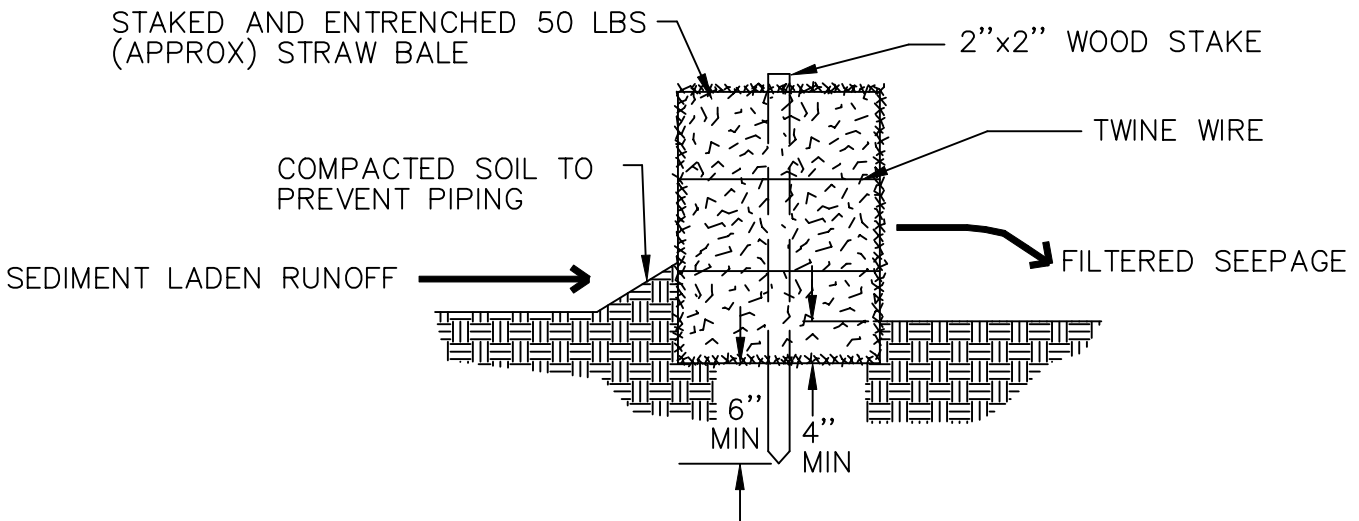


BALES MUST BE TIGHTLY ABUTTING WITH NO GAPS

PLACE AND STAKE STRAW BALES



BACKFILL AND COMPACT EXCAVATED SOIL



CROSS-SECTION OF PROPERLY INSTALLED STRAW BALE

DRAWN BY: JSH  
CHECKED BY: RJH

APPROVED BY:  
DIRECTOR OF PUBLIC WORKS

CITY OF BOULDER, COLORADO

# STRAW BALE INSTALLATION

ISSUED: JULY 2, 1998  
REVISED: OCT. 17, 2000

DRAWING NO.  
7.25