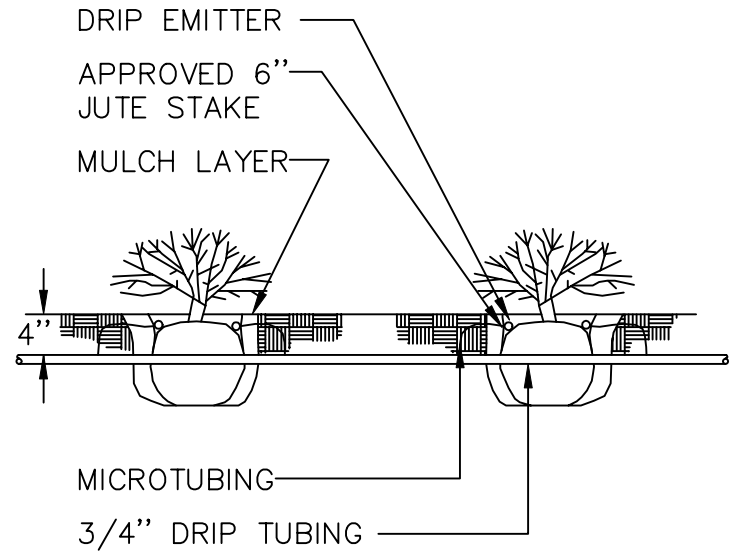
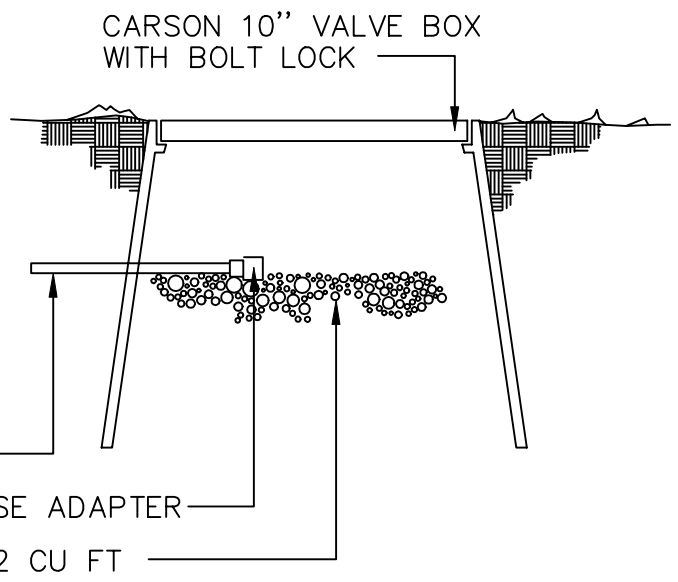


EMITTER/TREE



EMITTER/SHRUB



BLOWOUT STUB

DRAWN BY: JSH
 CHECKED BY: RJH

APPROVED BY:
 DIRECTOR OF PUBLIC WORKS

CITY OF BOULDER, COLORADO

IRRIGATION
 DRIP DETAILS

ISSUED: JULY 2, 1998
 REVISED: OCT. 17, 2000

DRAWING NO.
 3.37