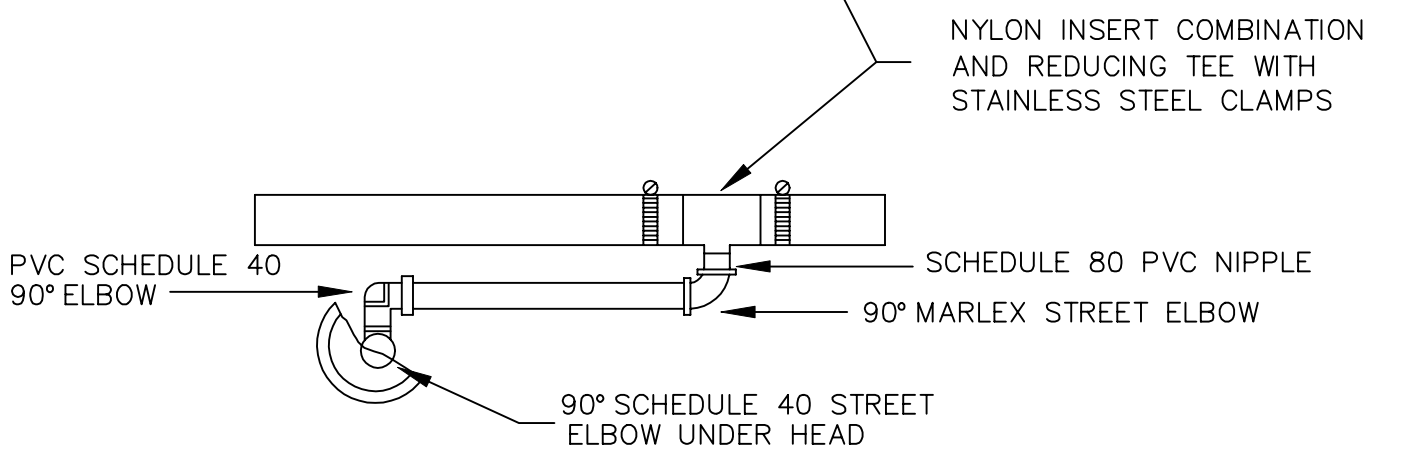


SIDE VIEW



TOP VIEW

NOTE: COMPACT ALL SOIL BACKFILL TO SAME DENSITY AS UNDISTURBED ADJACENT SOIL.

DRAWN BY: JSH
 CHECKED BY: WGH
 APPROVED BY:
 DIRECTOR OF PUBLIC WORKS

CITY OF BOULDER, COLORADO
 IRRIGATION
 ROTARY HEAD

ISSUED: JULY 2, 1998
 REVISED: OCT. 17, 2000

DRAWING NO.
 3.36