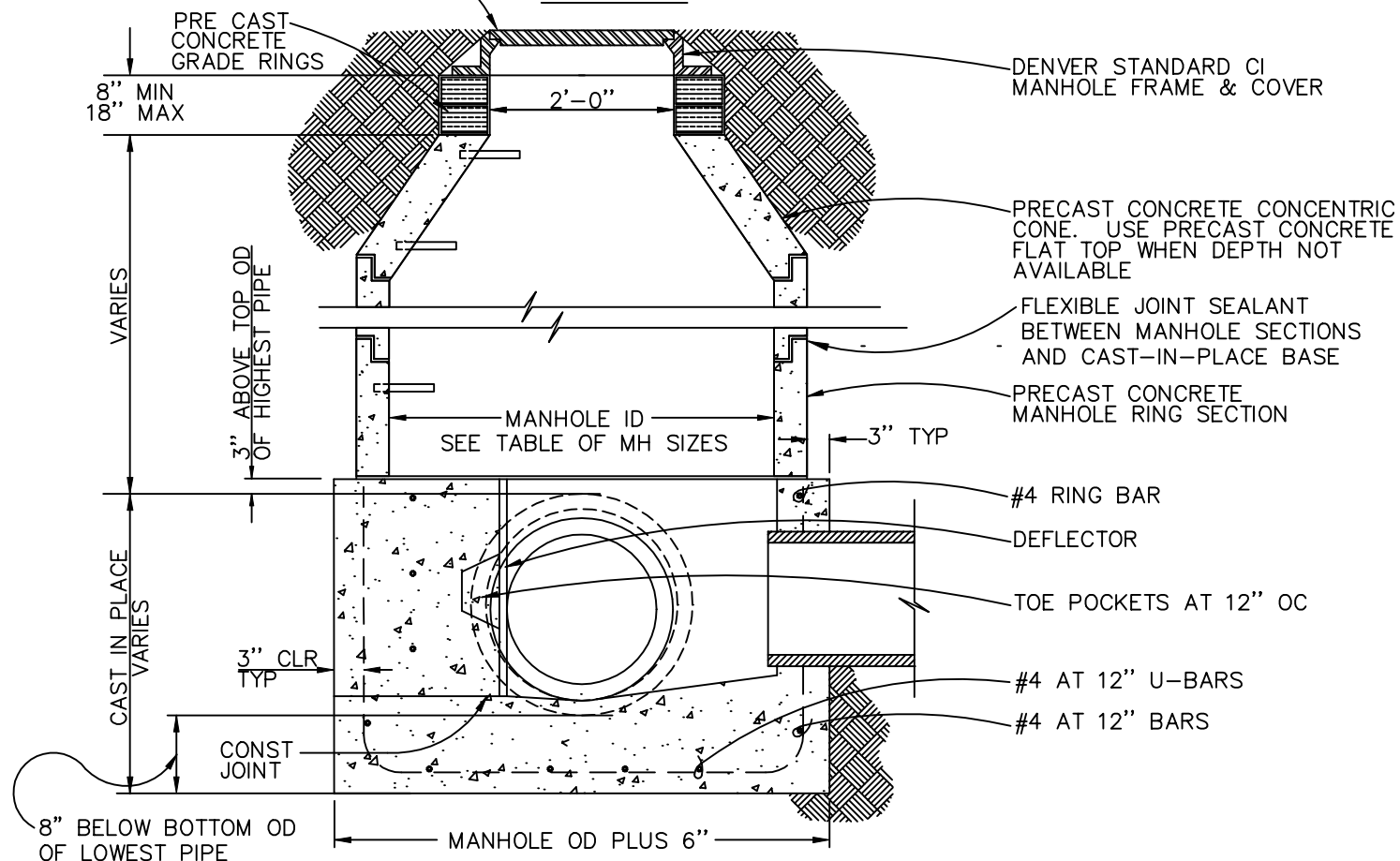


REQUIRED MANHOLE SIZES		
LARGEST PIPE ID	REQ'D MH ID	CONE REQUIRED
≤24"	48"	4'x2' ECCENTRIC CONE
27" - 36"	60"	5'x2' ECCENTRIC CONE
42" - 48"	72"	6'x5' REDUCER AND 5'x2' ECCENTRIC CONE
54" & LARGER	SPECIAL DETAIL	

PLAN

TOP ELEVATION - SEE PLANS



SECTION

DRAWN BY: JSH
 CHECKED BY: RJH
 APPROVED BY:
 DIRECTOR OF PUBLIC WORKS

CITY OF BOULDER, COLORADO
 STORM SEWER
 MANHOLE

ISSUED: JULY 2, 1998
 REVISED: OCT. 17, 2000

DRAWING NO.
 7.01