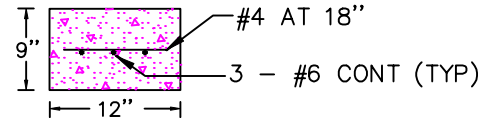
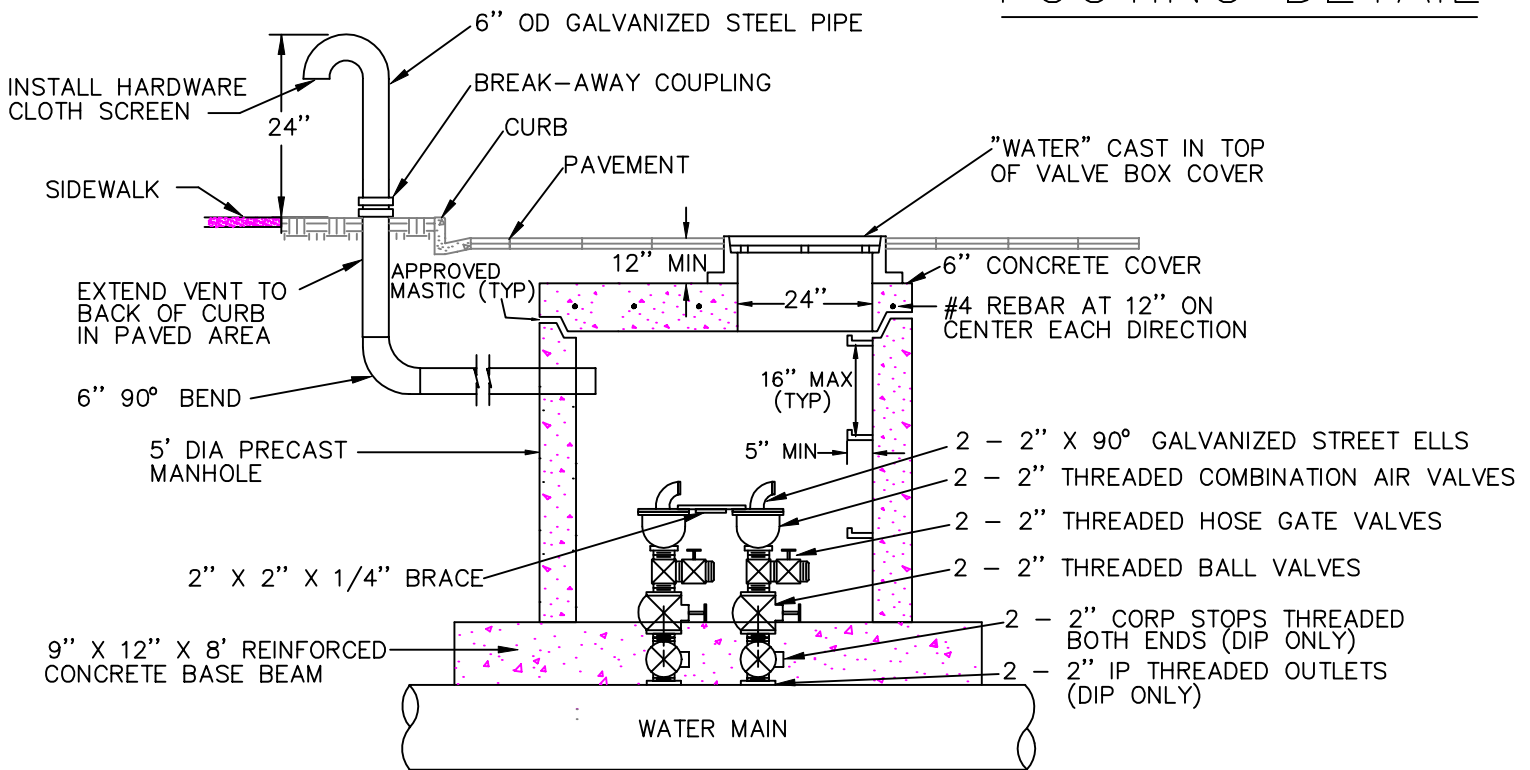


CONCRETE MH BASE BEAMS
 9" X 12" X 8' REINFORCED WITH
 BAR STEEL AS SHOWN BELOW

PLAN VIEW



FOOTING DETAIL



SECTION A-A

NOTES:

1. ALL PIPE AND FITTINGS INSIDE OF VAULT SHALL BE COPPER, BRASS OR BRONZE.
2. SINGLE VALVE CONFIGURATION ACCEPTABLE FOR MAINS 12" DIAMETER AND SMALLER.
3. USE WELD-O-LET INSTEAD OF CORP STOP ON STEEL PIPE ONLY.

DRAWN BY: JSH
 CHECKED BY: RJH

APPROVED BY:
 DIRECTOR OF PUBLIC WORKS

CITY OF BOULDER, COLORADO
 STANDARD COMBINATION
 AIR VALVE MANHOLE

ISSUED: JULY 2, 1998
 REVISED: OCT. 17, 2000

DRAWING NO.
 5.22