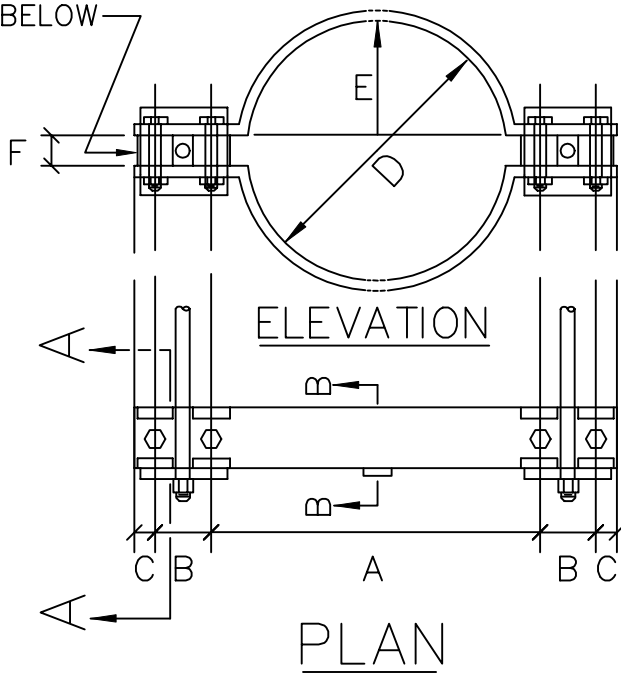
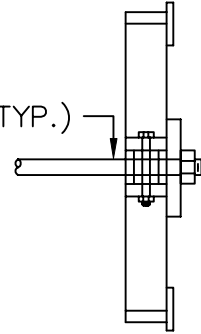


SEE DETAIL
"A" BELOW

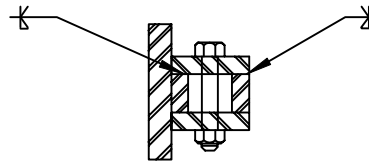


ROD (TYP.)

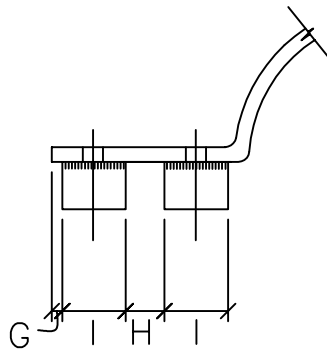


NOTE:

SEE DETAIL DRAWING NO. 5.07A FOR
TABLE OF DIMENSIONS FOR CLAMPS.



SECTION A - A



DETAIL A

DRAWN BY: JSH

CHECKED BY: RJH

APPROVED BY:
DIRECTOR OF PUBLIC WORKS

CITY OF BOULDER, COLORADO
CLAMP DETAILS
FOR USE WITH
DUCTILE IRON PIPE ONLY

ISSUED: JULY 2, 1998

REVISED: OCT. 17, 2000

DRAWING NO.

5.07