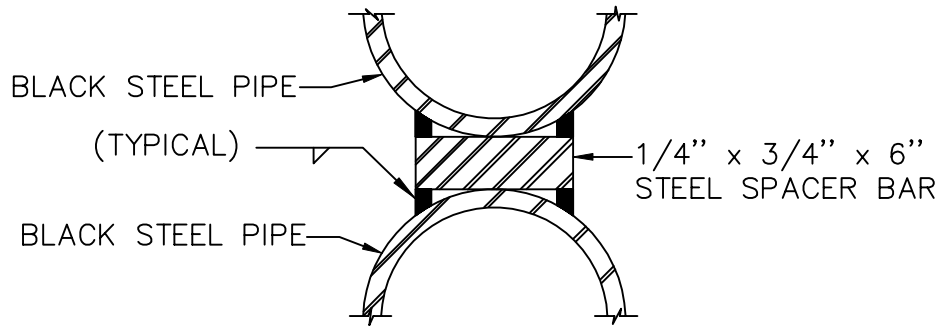


TIE ROD COUPLING DETAIL



SECTION "A-A"

NOTE: BLACK STEEL PIPE = SCHEDULE 40

ROD SIZE	PIPE DIAMETER
3/4"	1"
1"	1 1/4"
1 1/4"	1 1/2"

DRAWN BY: JSH
 CHECKED BY: RJH

APPROVED BY:
 DIRECTOR OF PUBLIC WORKS

CITY OF BOULDER, COLORADO
 TIE ROD COUPLING

ISSUED: JULY 2, 1998
 REVISED: OCT. 17, 2000

DRAWING NO.
 5.05