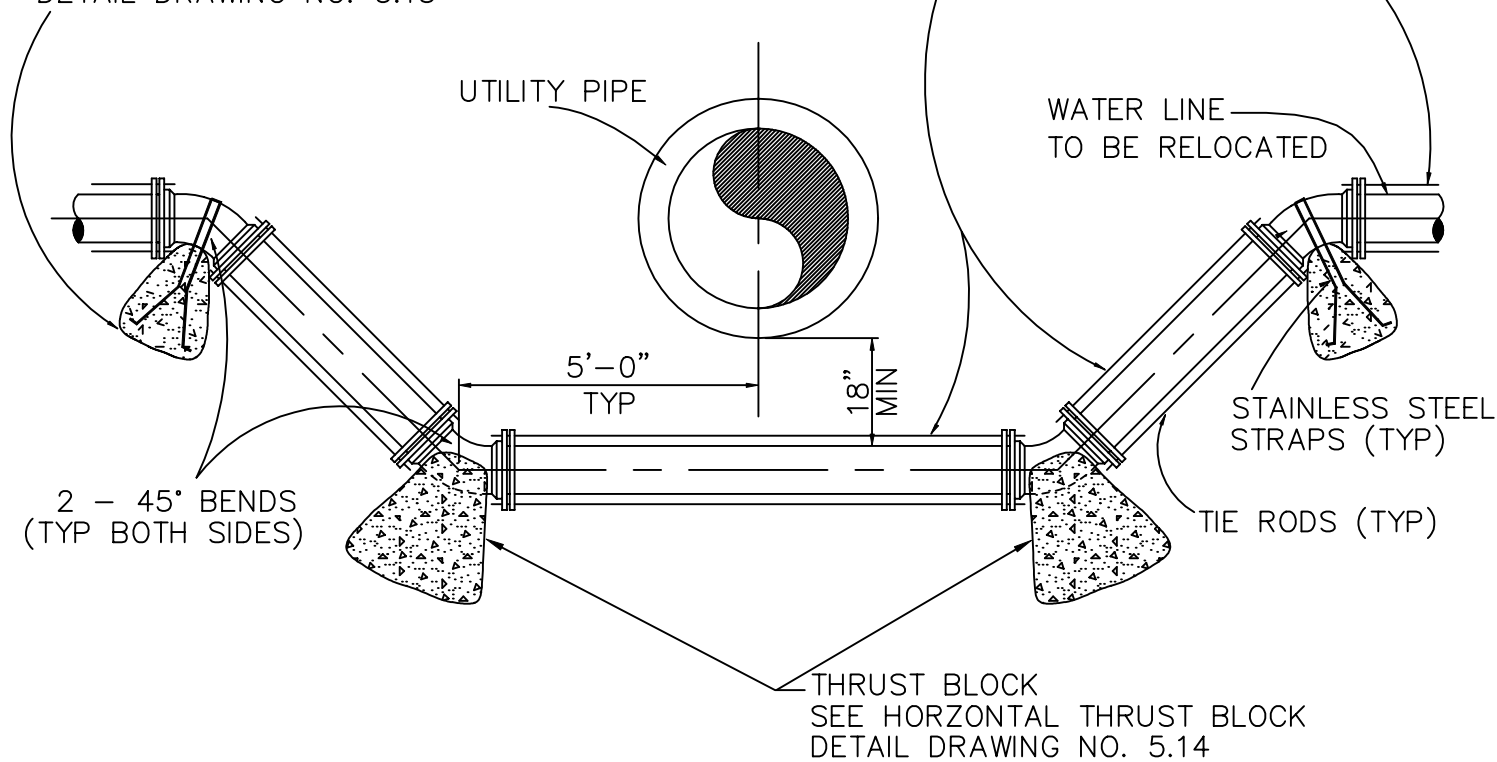


JOINT RESTRAINT (IF CONCRETE THRUST BLOCK ARE NOT USED)
REFER TO THE ROD
DETAIL DRAWING NO. 5.03
FOR REQUIRED ROD TYPES, SIZES
AND LENGTHS (SIMILAR ON OPPOSITE SIDE)

VERTICAL THRUST BLOCKS,
(TYPICAL BOTH SIDES)
SEE VERTICAL THRUST BLOCK
DETAIL DRAWING NO. 5.15



NOTE: PIPE RESTRAINT SHALL
BE EITHER CONCRETE THRUST BLOCKS
OR JOINT RESTRAINT AS SPECIFIED

DRAWN BY: JSH
CHECKED BY: RJH

APPROVED BY:
DIRECTOR OF PUBLIC WORKS

CITY OF BOULDER, COLORADO
WATER LINE
LOWERING
UTILITY LINE CROSSING ONLY

ISSUED: JULY 2, 1998
REVISED: OCT. 17, 2000

DRAWING NO.

5.01A