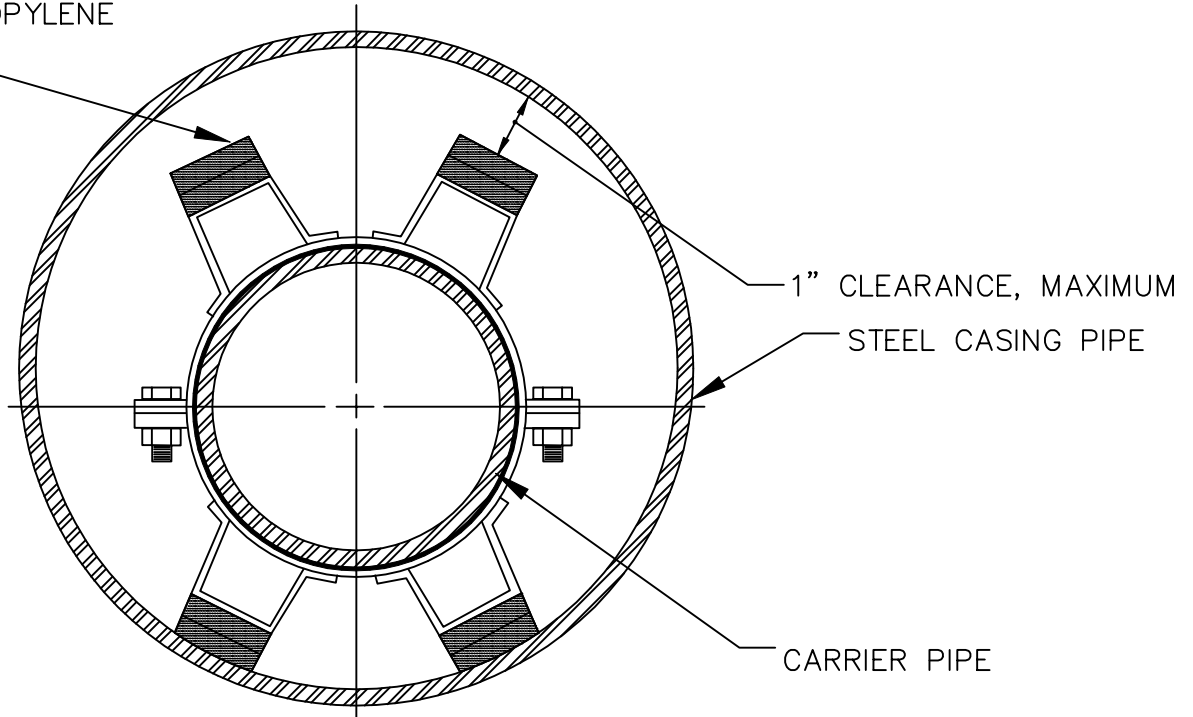


CASING SPACER WITH POLYPROPYLENE SKID



CARRIER PIPE NOMINAL DIA	CASING PIPE	
	MIN OD	MIN WALL THICK
6"	16"	0.250"
8"	18"	0.282"
12"	22"	0.344"
16"	28"	0.406"
20"	32"	0.469"

DRAWN BY: JSH

CHECKED BY: RJH

APPROVED BY:
DIRECTOR OF PUBLIC WORKS

CITY OF BOULDER, COLORADO
PIPE CASING WITH
CASING SPACERS

ISSUED: JULY 2, 1998

REVISED: OCT. 17, 2000

DRAWING NO.

4.09A