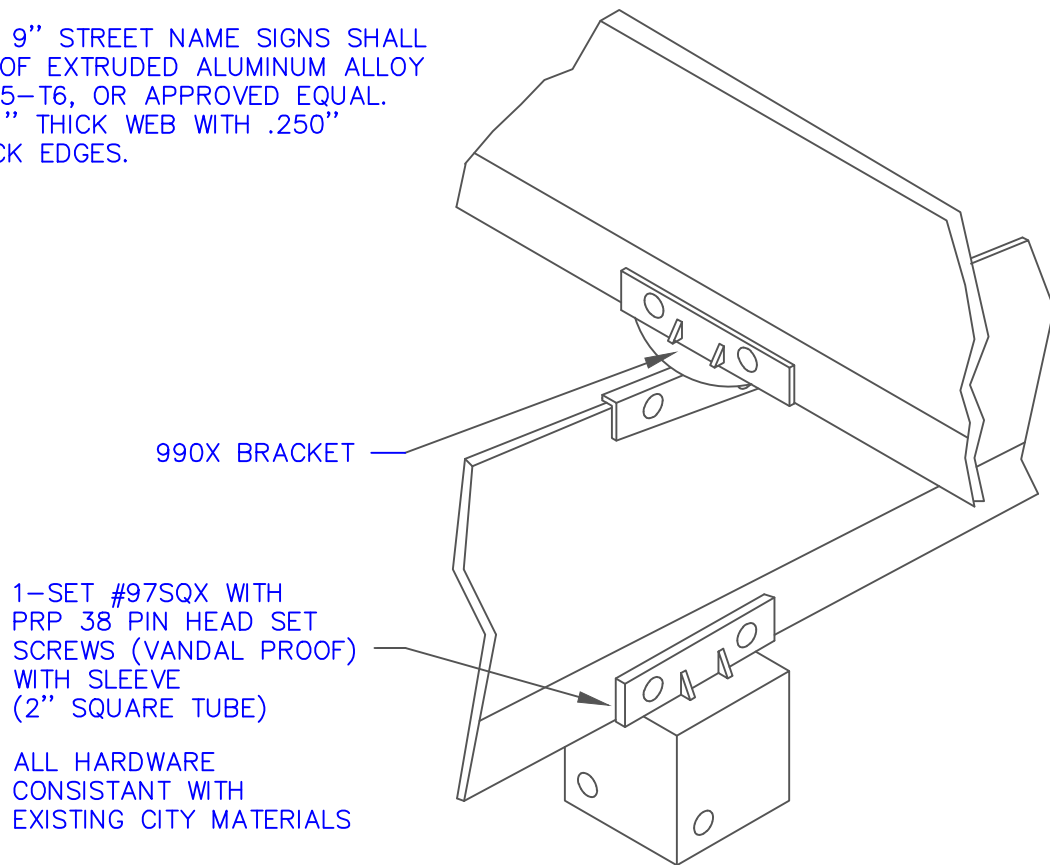


NOTE:

ALL 9" STREET NAME SIGNS SHALL BE OF EXTRUDED ALUMINUM ALLOY 6065-T6, OR APPROVED EQUAL. .091" THICK WEB WITH .250" THICK EDGES.



DRAWN BY: JSH
CHECKED BY: MGS

APPROVED BY:
DIRECTOR OF PUBLIC WORKS

CITY OF BOULDER, COLORADO
STREET NAME
SIGN MOUNTING
DETAILS

ISSUED: JULY 2, 1998
REVISED: OCT 6, 2009

DRAWING NO.
2.87