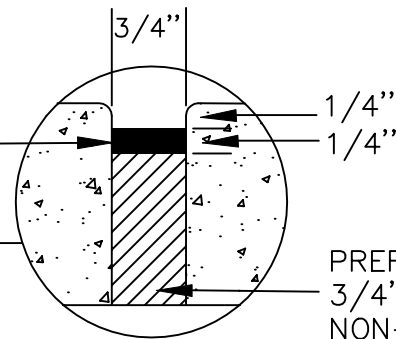


FILL WITH SILICONE SEALANT  
SEALANT SHALL BE ON CDOT APPROVED LIST OF SILICONE SEALANTS

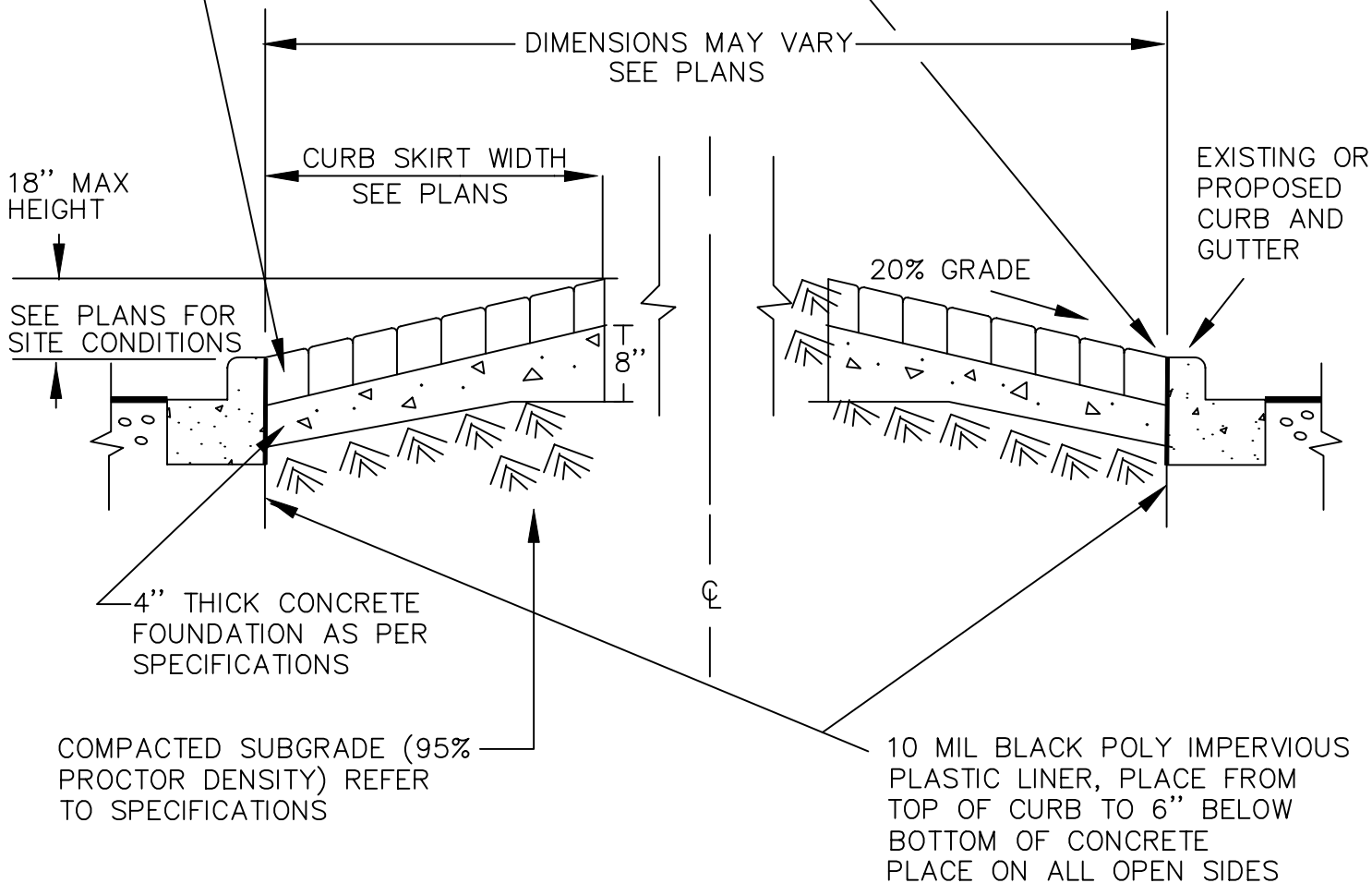


JOINT SEALANT WHERE BRICK MEETS CURB, AND 3/4" WIDE EXPANSION JOINT MATERIAL, PLACED ALONG BACK EDGE OF CURB WITH SEALANT

PREFORMED JOINT MATERIAL 3/4" PRE-MOLDED, NON-EXTRUDING AND RESILIENT TYPE EXPANSION JOINT MATERIAL TO MEET ASTM SPECS D-1751 OR D-1752

BRICK PAVER TO BE SET ON MORTAR BASE PARALLEL TO CURB AS APPROVED BY CITY ENGINEER

DIMENSIONS MAY VARY SEE PLANS



NOTE: CONTRACTOR SHALL CROWN FINISH GRADE AT CENTERLINE OF MEDIAN SECTION AND PROVIDE A CURVED TRANSITION. REFER TO PLANS FOR SPECIFIC INSTRUCTIONS.

DRAWN BY: JSH  
CHECKED BY: RJH

APPROVED BY:  
DIRECTOR OF PUBLIC WORKS

CITY OF BOULDER, COLORADO  
MEDIAN  
BRICK CURB SKIRT

ISSUED: JULY 2, 1998  
REVISED: OCT. 17, 2000

DRAWING NO.

2.42.B