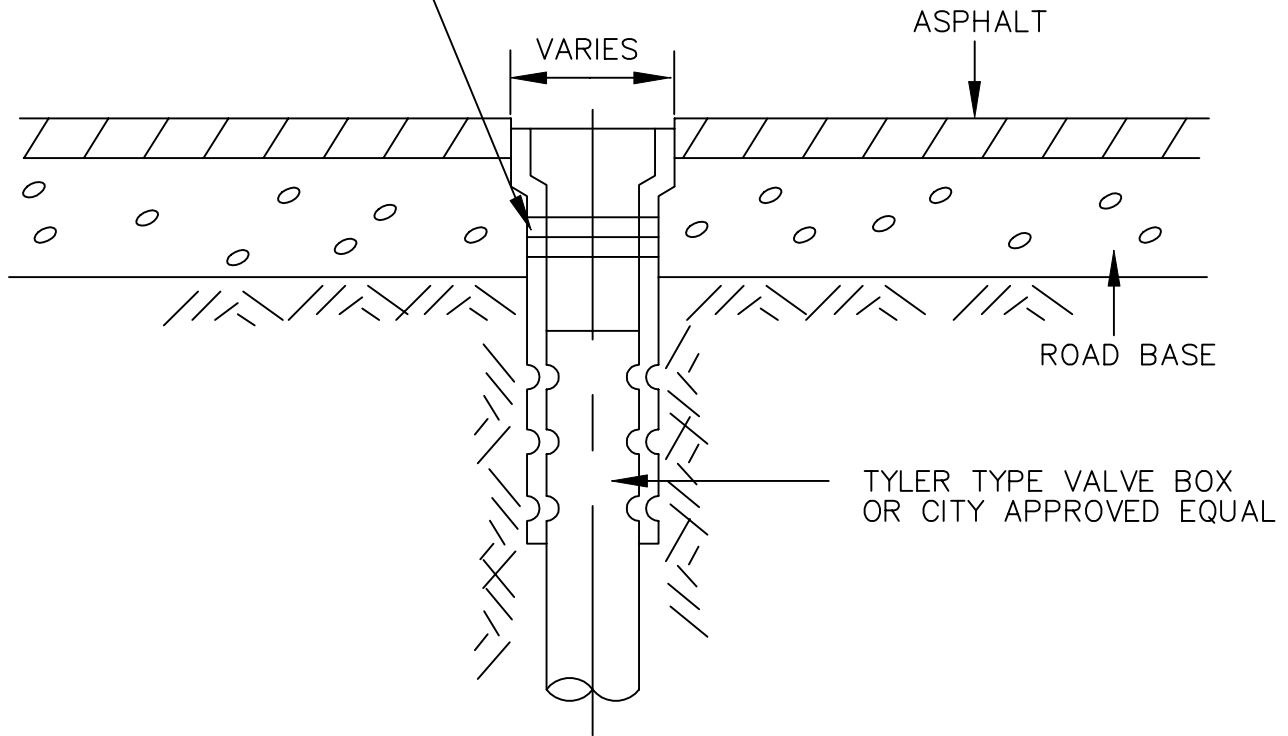


ADJUST VALVE BOX COLLAR
1/8" - 1/4" BELOW
SURROUNDING ASPHALT
WITH ADJUSTING RINGS



DRAWN BY: JSH
CHECKED BY: RJH

APPROVED BY:
DIRECTOR OF PUBLIC WORKS

CITY OF BOULDER, COLORADO
VALVE BOX
ADJUSTMENT

ISSUED: JULY 2, 1998
REVISED: OCT. 17, 2000

DRAWING NO.
2.13